



**Read this instruction sheet completely before beginning any work.**

*This guide is to help you install your fence panels, posts, and gates for the Privacy with Lattice 6 Ft. fence.*

**Before you begin, it's important to check:**

- ✓ To ensure your fence footings do not exceed legally established property lines.
- ✓ The local codes for specification regarding frontage locations, allowable fence heights and if a permit is required etc.
- ✓ With your local utility companies for locations of underground cables or pipelines. (You can call 811 to get started).



## General Information:

- During panel / gate assembly, work on a soft, non-abrasive surface to avoid scratching.
- When cutting PVC components with a power saw, use a fine-toothed blade (plywood blade, finishing blade, etc.).
- Plan ahead when working with PVC glue. It dries very fast, requiring speed and precision. Two Part Epoxy (PVC glue) can be found at your local hardware store.
- Laying out the fence is the critical first step toward ensuring a quality installation.

**Note:** *Standard fence sections and gates are designed for level terrain. Significant slope in the terrain will require modification to the panel or gate and post.*

## Tool & Materials Checklist:

- Post Hole Digger or Auger
- Drill
- Circular Saw
- Rubber Mallet
- Post Level
- Pencil
- Two Part Epoxy (PVC Glue)
- Shovel
- Stakes
- String
- Tape Measure
- Concrete mix
- Gravel
- Re-Bar
- Cleaning cloth or paper towels
- Duct Tape
- Screw Driver
- Funnel

While installation of fences varies depending on the fence style, material, and the terrain it will be installed into, taking the time to properly lay out your fence can help to avoid mishaps later. It is a good idea to lay out the fence as a "test fit" before digging holes for the posts. Remember to always measure twice and use a level to maintain straight lines.

Preparing Fence Layout:

**Step 1:**

Locate the boundary lines to your property.

**Step 2:**

Drive stakes into the ground along the property line. Stretch a string between each stake. **Be sure to extend the string about 24" beyond the property line (Fig. 1).** It is recommended that all posts be set approximately 6" inside of the property line so the concrete footings do not encroach onto the adjoining property.

**Step 3:**

Mark the location of each terminal post with a stake (corner, end and gate post are also called terminal posts).

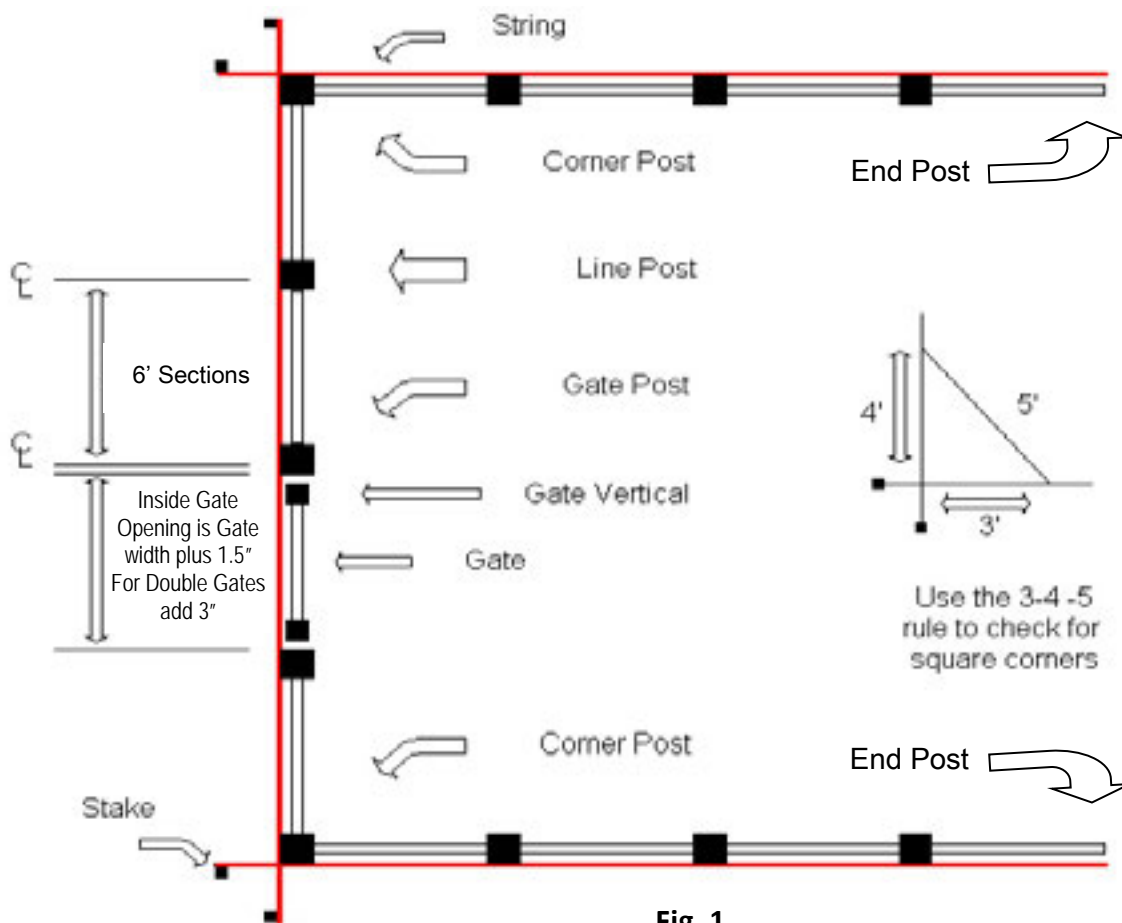


Fig. 1

Setting Terminal Posts:

Although post depth and hole diameter will be determined by local weather and soil conditions, holes for corner post, end post and lines post are typically dug 10" in diameter and 22" deep with sloped sides.

**Step 1.** Dig all corner, end and gate post holes. Set all **corner, end** and **gate** posts in concrete (not line posts).

**Step 2.** Position the post in the hole. The post should be centered in the hole and must be square with the fence line so that when the rails are inserted into the post, they will parallel the string line. Check the post on two adjacent sides with a carpenter's level and adjust as necessary to make sure it is a plumb. The fence height above grade is determined at this time as well. We recommend a 2" space from the bottom of the bottom rail to the ground (Fig. 2).

**Step 3.** Pour concrete around post; fill to 2" below ground level. Once the concrete is completely dry, fill the balance of the hole with dirt.

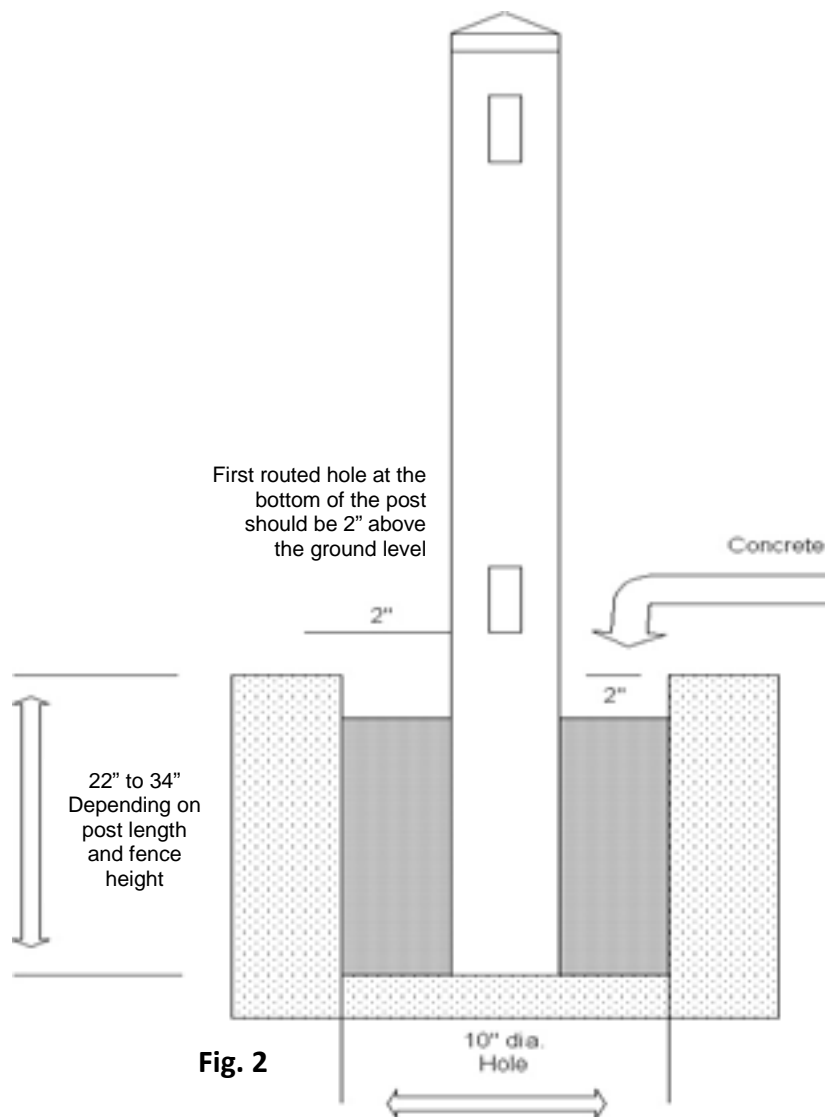


Fig. 2

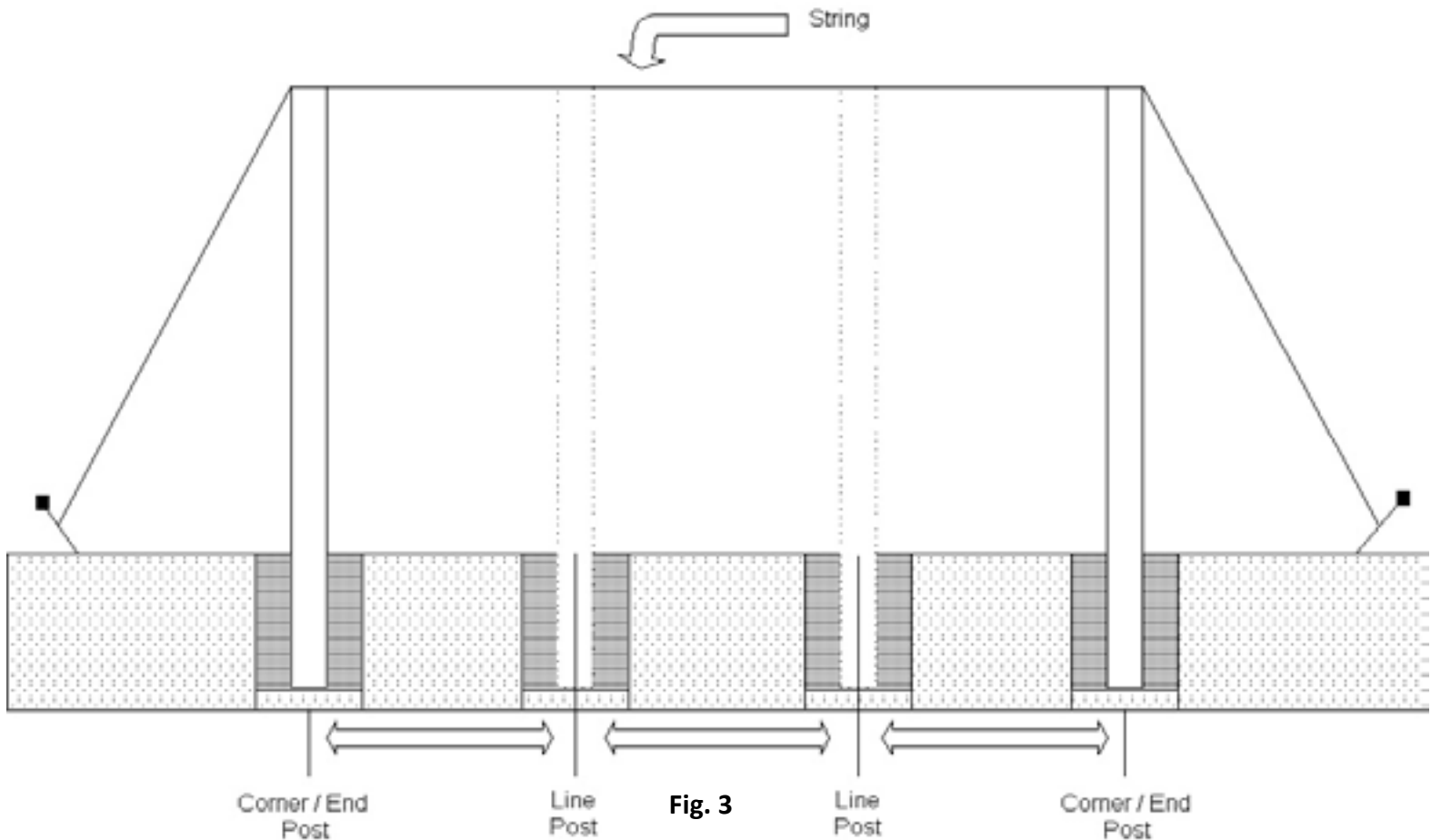
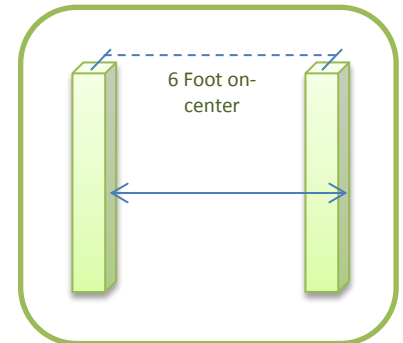
**Locating and Setting Line Posts:**

**Step 1.** After the corner, end, and gate post footings have hardened enough for the posts to remain stable, stake and stretch a string line taut across the tops of the posts to mark the desired height of the line posts (Fig. 3).

**Step 2.** Working along the string line, stake out the positions of all line posts. Line posts should be spaced 6' on-center starting at one end and working forward post by post.

**Step 3.** Dig all line post holes so that they are spaced 6 Foot on-center.

**Note:** *On-center is a customary form of measurement relating to the distance from the center of one post to the center of another. A simple method to calculate this is to measure from one side of one post to the same side on the next adjacent post.*



Setting Line Posts and Rails:

**Step 1.** If post spacing is less than 6’ on center, cut a piece from the end of the top and bottom rails to achieve the desired length. The length of the top and bottom rails should be ½” less than the on-center measurement of the posts, which allows for expansion.

**Step 2.** Rails are pre-tabbed and ready to be inserted into the 6’ on center post. The tabs are designed for easy insertion and to lock the rails into the post and may be difficult to remove once inserted. Make sure all work has been done before installing.

**Note:** The rails which are to be placed into the corners, ends and gate posts (posts which will be back filled with concrete), must be duct taped before installing to prevent concrete from flowing inside of the rails (Fig. 4).

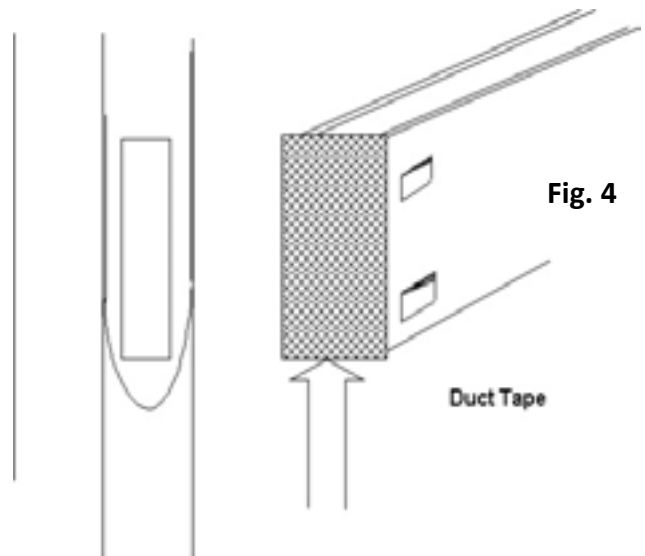


Fig. 4

Duct Tape

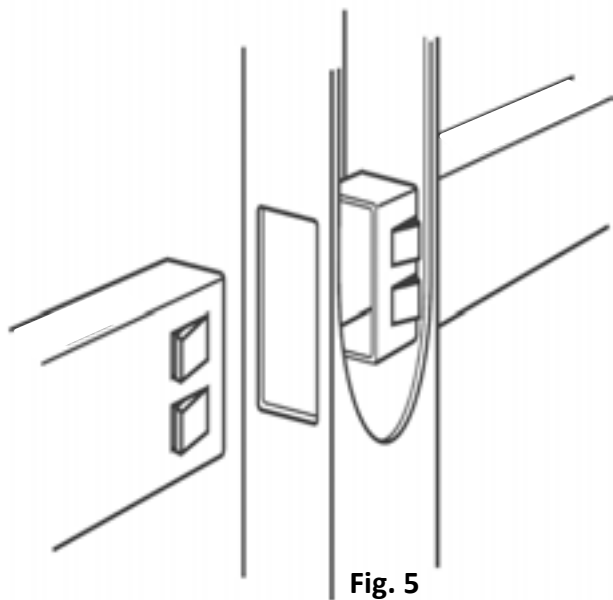


Fig. 5

**Step 3.** Slide the rail into the bottom hole in the post (Fig. 5). Proceeding down the fence line, place the next rail into the next hole and insert the bottom rail into each post. An additional metal insert (Fig. 6) should be inserted into the **bottom chamber** of the bottom rail **only** for all non-white fence panels.

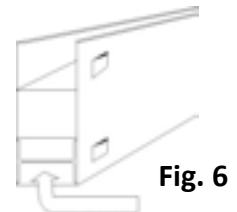


Fig. 6

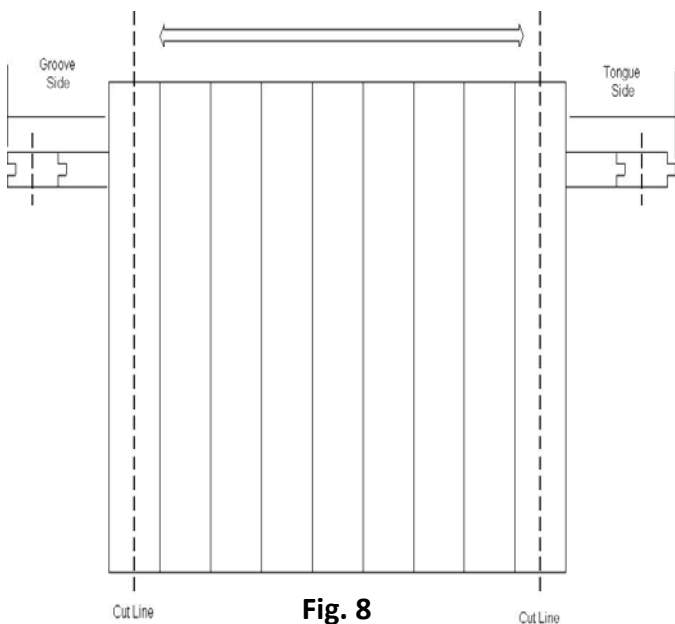
**Note:** Cut Two 2 x 4’s to 66” Long and use as spacers between posts to ensure accurate distance. Place one at the top between the posts and one at the bottom between the posts for best results.

**Step 4.** Fill the post hole with concrete. Check to make sure that the post is set at the correct height, is plumb and level and square to the fence line. Block and support as necessary to keep the posts stable as installation continues. **Repeat these steps until all posts are set with the bottom rails and inserts installed.**

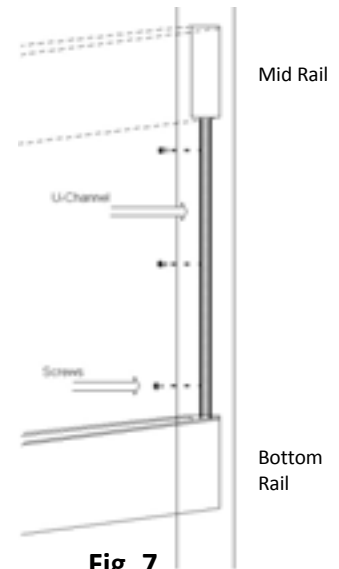
**Installing Pickets:**

**Step 1.** Center the U-channels against the post between the top of the hole for the bottom rail and the bottom of the hole for the top rail, with the flat side of the U-channel against the posts. Drill pilot holes and secure the U- channels to the posts using the #10, 1/2” pan head screws supplied (Fig. 7).

**Step 2.** In some situations, it may be necessary to shorten a section of the fence. If post spacing is less than 6’ on center, you may need to cut equal amounts off of the grooved side of the picket on one end of the panel and the tongued side of the picket on the opposite end (Fig. 8).



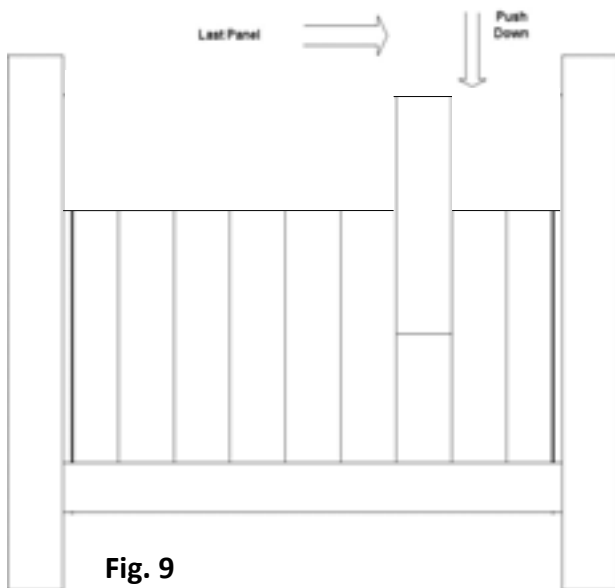
**Fig. 8**



**Fig. 7**

**Step 3.** Starting on the end, insert the first picket into the bottom rail and the U-channel (if you have cut the first picket, the cut end should go into the U-channel). Proceeding down the panel, insert pickets into the bottom rail, interlocking the tongues and grooves as you go.

When you get toward the end of the panel, begin working from the opposite post back toward center (keep tongues and grooves oriented in the same direction), so that the last picket to be inserted is 3 to 4 pickets in from the posts. Slide the last picket in from the top (Fig. 9).



**Fig. 9**

**Note:** If the rail ends are cut to shorten the fence section, a tabbing (crimping) device can be purchased at any local hardware store to re-crimp the rail ends.

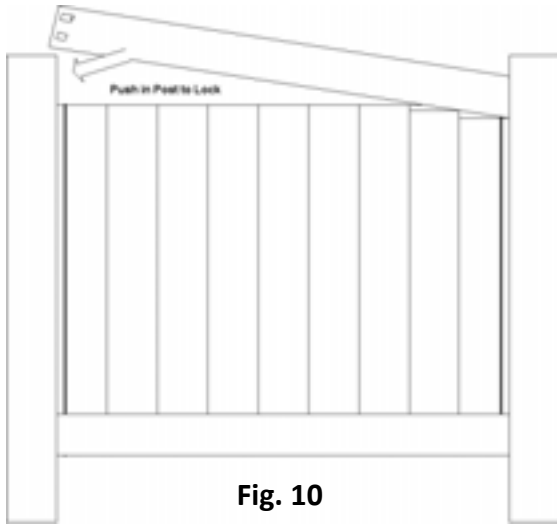


Fig. 10

**Step 4.** If the rail is going into a post, which will be filled with concrete, seal the ends of the rail with duct tape to prevent concrete from flowing into it. Place one end of the top rail into the post and work your way down the panel, inserting pickets into the top rail as you go (Fig. 10).

**Step 5.** Once all the pickets are installed, slide the loose rail end into the post (Fig. 11). The notched end will lock into the post. Repeat these steps until all panels have been assembled.

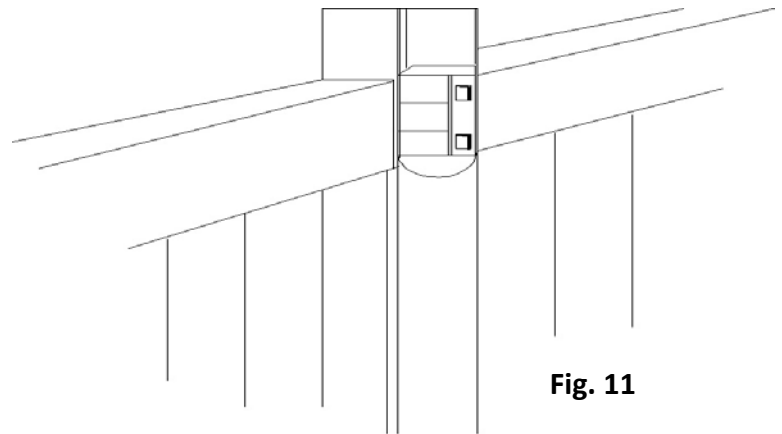


Fig. 11

**Step 6.** Privacy with lattice has a mid-rail which has a slot cut into it for the lattice to set into. The post also has a slot cut in between the top rail hole and the mid rail hole for the lattice to set inside (Fig. 12).

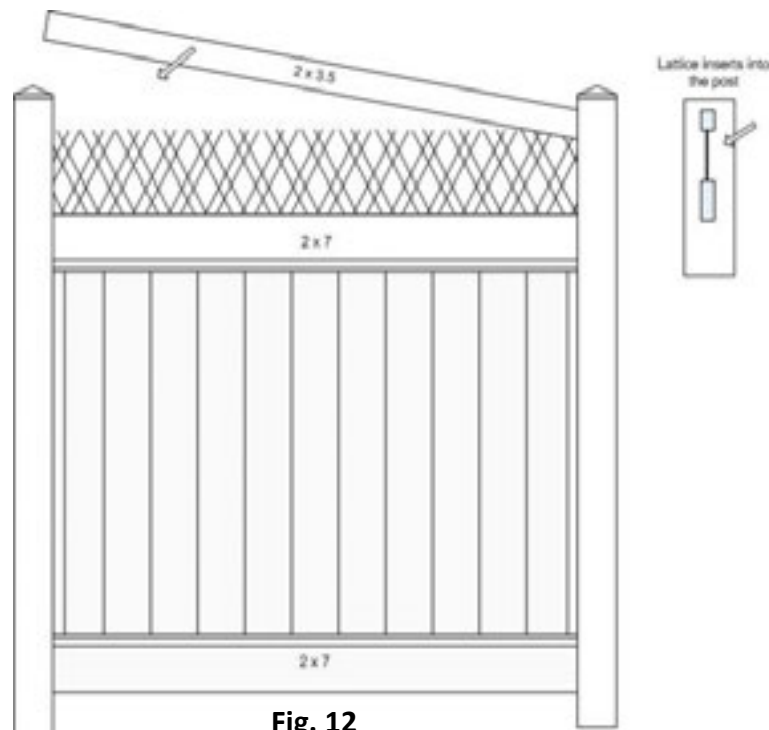
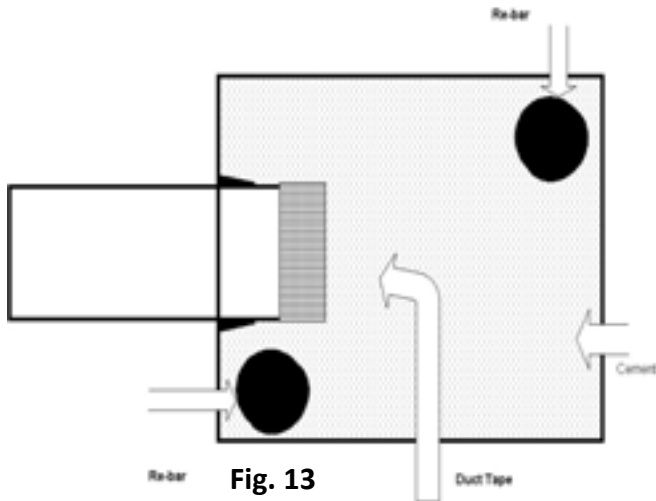


Fig. 12



**Fill Posts with Re-Bar and Concrete (Optional):**

Gate, corner and end posts should be filled to within 2” of the top of the post with concrete and re-bar. Line posts should be filled halfway with concrete only. Make sure the gate hardware (hinges and latches) is installed before filling gate posts with concrete.

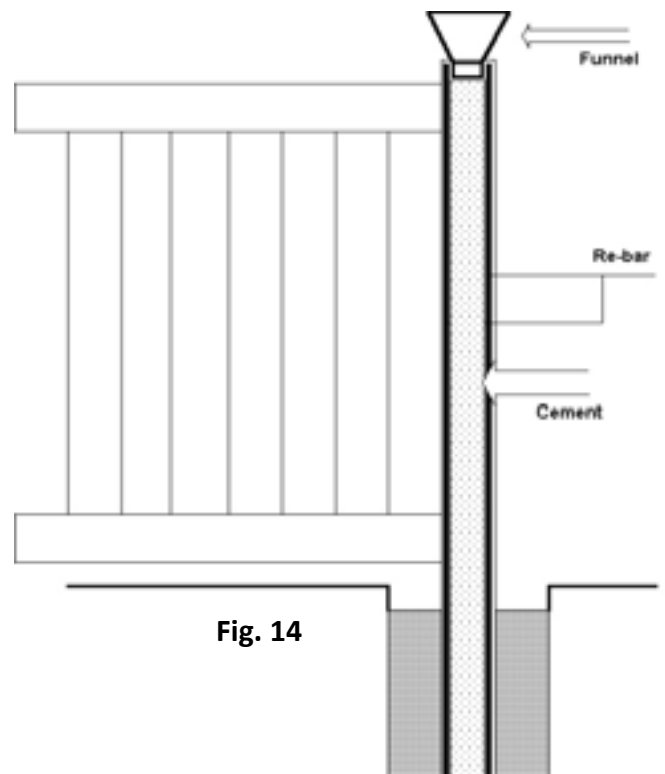


**Step 1.** If Re-Bar is not being used, proceed to Step 2. For each corner, end and gate post, cut two pieces of #4 Re-Bar shorter than the post length. Drop two pieces into each post at opposing corners (Fig. 13).

**Step 2.** When filling the post hole(s) with concrete, check to make sure that the post is set at the correct height and is plumb and level, and square to the fence line. Block and support as necessary to keep the post stable as installation continues.

**Step 3.** Using a large funnel, fill the post with concrete (Fig. 14). Tap lightly on the sides of the post to help void air pockets in the concrete. Repeat these steps until posts are filled.

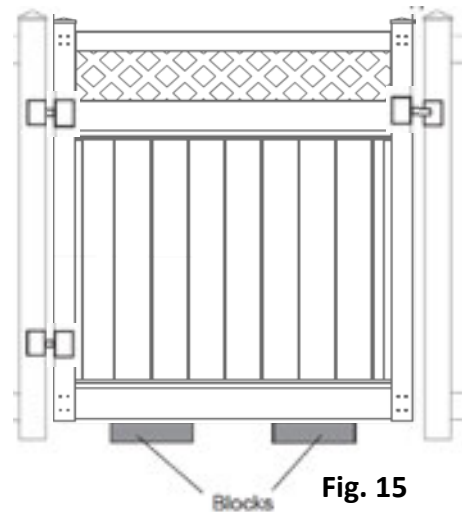
**Note:** Clean off the excess concrete that has spilled onto the post as soon as possible.



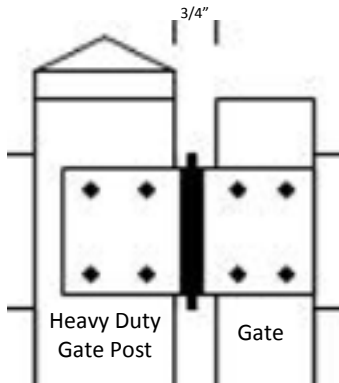
**Gates and Gate Opening:**

Gates come preassembled and ready to hang at 46.5” or 58.5” wide, with a post opening being 1.5” larger than the gates which allows room for the hinges and latches. The gates are designed to coordinate and match the style of fence and rails.

**Step 1.** To ensure your gate is square and supported during the installation process, position your gate within the gate opening and place two 2” block supports (or similar support to line up gate horizontally) under the gate to hold it at the proper height, and level to line up with the rails of the fence (Fig. 15).



**Fig. 15**



**Fig. 16**

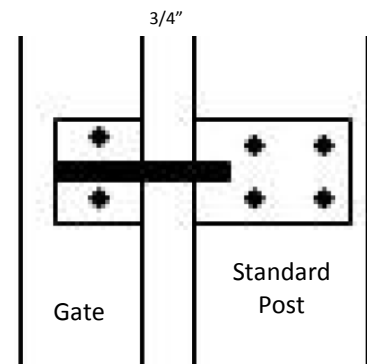
**Step 2.** If you have elected to utilize 1 heavy duty post per gate opening, be sure to align the “hinges” side of the gate to attach to this post (Fig. 16). If you have elected to utilize 2 heavy duty posts per gate opening, select your preferred post, and align the “hinges” side of the gate to attach to the post.

**Step 3.** Once you have determined your hinge locations, use a pencil to clearly mark where you need to drill. Be sure to leave a 3/4” space between the gate and the post. Pre-drill 1/16” diameter holes per your pencil markings on both the gate and the post.

**Step 4.** Using the eight 8-3/4” screws provided (for each hinge), attach both hinges as marked, and firmly fasten into place (Fig. 16).

**Step 5.** At the opposing post, determine where you would prefer to install your latch, firmly hold your latch against the post and gate and use a pencil to clearly mark where you will need to drill. Be sure to leave a 3/4” space between the gate and the post. Pre-drill 1/16” diameter holes per your pencil markings on both the gate and the post.

**Step 6.** Using the eight 8-3/4” screws provided attach your latch as marked, and firmly fasten into place (Fig. 17).



**Fig. 17**

### Installing Post Caps:

Apply a small amount of PVC glue (two part epoxy found in most local hardware stores) to the inside of all four sides of the cap and press cap completely onto the top of the post and hold for a few seconds and you are completed (Fig. 18). Be sure to only apply a small amount, just a little dab on each side is sufficient for a firm hold.

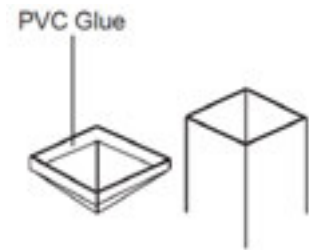


Fig. 18

### Cleaning your Fence:

Your new PVC fence is easily cleaned up with soap and water. For stubborn stains, you can use Simple Green® or mild detergent and water. Rinse all cleaners with water before they dry.